

## MiRHook(200) for automated in-house trolley transport solutions

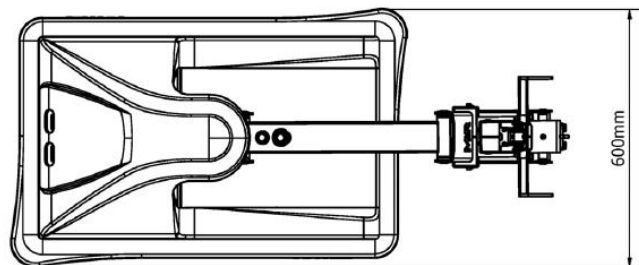
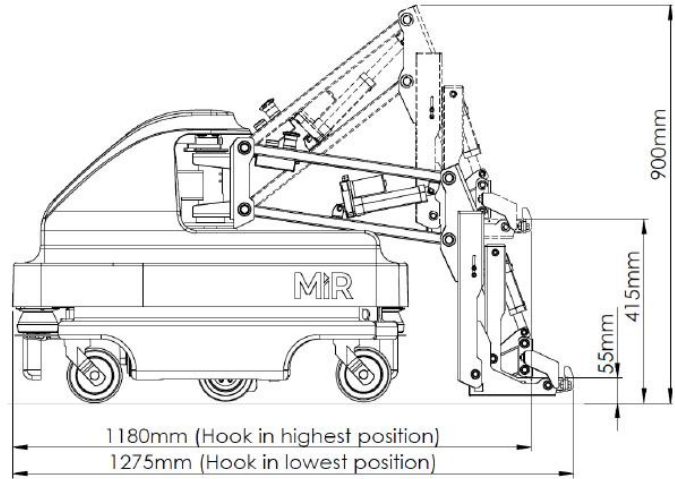
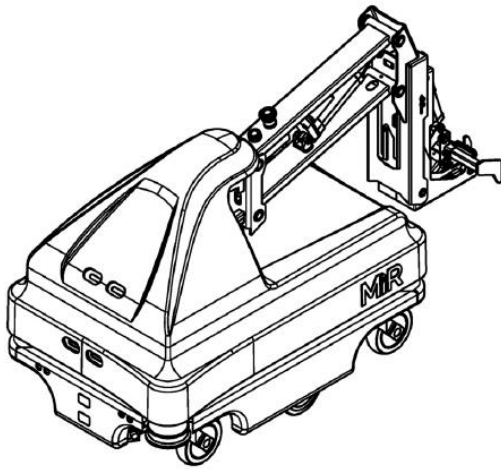
MiR100 Hook EN 05 2016

<b>Specifications</b>	
<b>Designated use</b>	
Mobile robot with trolley hook	for fully-automated pick-up and delivery of trolleys
<b>Dimensions</b>	
Length	1275 mm to 1180 mm(hook lowest to highest position)
Width	600 mm
Height	550 to 900mm (hook lowest to highest positions)
Height above floor	Robot: 50 mm; Gripping Height:50 – 390mm
Weight (without load)	97 kg
<b>Pulling capacity</b>	
Load on cart	up to 500kg at <1% incline – 300kg at 5% incline
<b>Speed and performance</b>	
Running time	8 - 10 hours or 15-20 km (depending on load)
Maximum speed	forwards: 1.1 m/s (4 km/h)
Turning radius (without cart)	0.52 m (around center of robot)
Swinging radius (with cart)	Total length of robot and cart plus 550 mm
Positioning accuracy (placing cart)	±200mm from center of position, 10° accuracy
<b>Power</b>	
Battery	Li-NMC, 24 V, 40 Ah, Cycle life < 600 (DOD: 80%) Charging time: up to 3 hours (0-80%: 2 hours)
<b>Environment</b>	
Ambient temperature range	+5°C to 50°C (humidity 10-95% non-condensing)
IP class	IP 20
<b>Communication</b>	
WiFi	Dual-band wireless AC/G/N/B
Bluetooth (for peripheral equipment, e.g. automatic doors)	4.0 LE, range: 10-20 m
I/Os	USB and Ethernet
<b>Safety sensors</b>	
SICK laser scanners S300 (2 pcs.)	360° visual protection
3D camera Intel RealSense™ on robot	Detection of objects ahead 50-500mm above floor
3D camera Intel RealSense™ on front of hook	Detection of objects ahead up to 2000 mm above floor
Ultrasonic scanners (2 pcs.)	detection of transparent objects ahead, e.g. glass doors
<b>Cart</b>	
Length	500 to 4000 mm
Width	400 to 1500 mm
Height	200 to 2000 mm



## MiRHook(200) dimensions

MiR100 Hook EN 05 2016



Copyright © 2016 Mobile Industrial Robots ApS. All rights reserved



苏州拓德机器人科技有限公司

SuZhou Nonead Robot Technology Co., Ltd.

地址：中国江苏苏州工业园区金鸡湖大道 1355 号国际科技园四期 A0602-A0603  
Room.A0602-A0603,International Science Park Phase Four,No. 1355, Jinji Lake  
Avenue,Suzhou Industrial Park, Jiangsu Province, China. 215021

Tel: +86 512 6863 0188 Ext. 6008 Fax: +86 512 6863 0198 Ext. 8008

CS: +86 18015500178 servie@nonead.com Http://www.nonead.com

